

electriciQ



35 INCH CURVED WQHD LED MONITOR

eiQ-35CMUWQ100GAFSH

Thank you for choosing electriciQ
Please read this user manual before using this monitor and
keep it safe for future reference.

Visit our page www.electriQ.co.uk for our entire range of
Intelligent Electricals

CONTENTS

Safety Information	3
What's included	4
Fitting the Table Stand	5
Input / Output Ports	5
Monitor Adjustment	6
Controls	7
Getting Started	8
Specification	17
Troubleshooting	18

SAFETY INFORMATION

- Read these instructions – All the safety and operating instructions should be read before this product is operated.
- Keep these instructions – The manual should be retained for future reference.
- Heed all warnings – All warnings on the appliance and in the operating instructions should be adhered to.
- Follow all instructions – All operating and usage instructions should be followed.
- Do not use this equipment near water – The appliance should not be used near water or moisture e.g. in a wet basement or near a swimming pool.
- Clean only with a dry cloth. Do not use solvents or petroleum based fluids.
- Do not block any ventilation openings.
- Do not install near any heat sources such as radiators, stoves or other apparatus (including amplifiers) that produce heat.
- Do not tamper with the supplied plug. This plug is a BS1363 standard plug.
- Protect the power cord from being walked on or pinched, particularly at the plug and at the point where it exits from the appliance.
- Only use attachments/accessories specified by the manufacturer.
- Use only with a cart, stand, tripod, bracket or table specified by the manufacturer or sold with the apparatus. When a cart or stand is used, use caution when moving it to avoid any injuries or damage from it tipping over.
- Unplug the apparatus during lightning storms or when unused for long periods of time.
- Refer all servicing to qualified personnel. Servicing is required when the apparatus has been damaged in any way, such as when the power supply cord or plug is damaged, liquid has been spilled or objects have fallen into the apparatus or it has been exposed to rain or moisture, it does not operate normally or has been dropped.
- Please keep the unit in a well-ventilated environment.
- The monitor should only be connected to a mains power supply as rated on the back of the equipment.
- To prevent overload, do not share the same power supply socket with too many other electronic components.
- Do not place any connecting wires where they may be stepped on or tripped over.
- Do not place heavy items on the cable as this may cause damage.
- When removing from a socket, hold by the plug, not the wires.
- Pull the plug out immediately and seek professional help if the plug or cable is damaged, liquid has spilt onto the set, if accidentally exposed to water or moisture, if anything accidentally penetrates the ventilation slots or if the set does not work normally.

- Do not remove the safety covers. There are no user serviceable parts inside. Trying to service the unit yourself is dangerous and may invalidate the product's warranty. Only qualified personnel should service this apparatus.
- Do not block ventilation slots on the back cover. The monitor can be placed in a cabinet but ensure at least 5cm (2") clearance all around.
- Do not tap or shake the screen, this may damage internal components.
- **WARNING:** To reduce the risk of fire or electric shock, do not expose this apparatus to rain or moisture. The apparatus must not be exposed to dripping or splashing and objects filled with liquids, such as vases, must not be placed on the apparatus.
- **WARNING:** The wall socket is used as a disconnection device and should remain readily accessible.



This warning sign is to warn of dangerous voltage inside the product.



CAUTION: To reduce the risk of electric shock, DO NOT remove the cover (or back). No user serviceable parts inside. Refer servicing to qualified service personnel.



This warning sign is to alert you of important instructions accompanying the product.

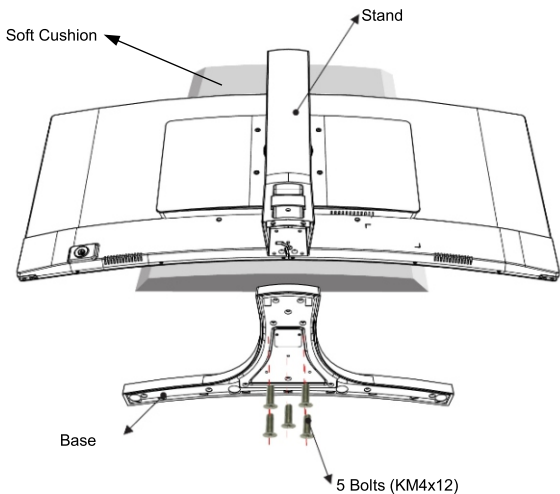


AT FULL VOLUME, PROLONGED LISTENING MAY DAMAGE THE USER'S HEARING.

WHAT'S INCLUDED

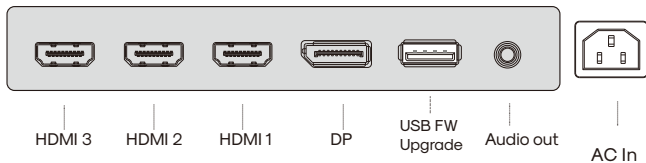
 <p>Monitor</p>	 <p>Base</p>	 <p>Display Port Cable</p>
 <p>Power Cord</p>	 <p>User Manual</p>	 <p>5 x Bolts KM4*12</p>

FITTING THE STAND



Use the supplied bolts to attach the stand neck and stand base to the monitor.

INPUT/OUTPUT PORTS

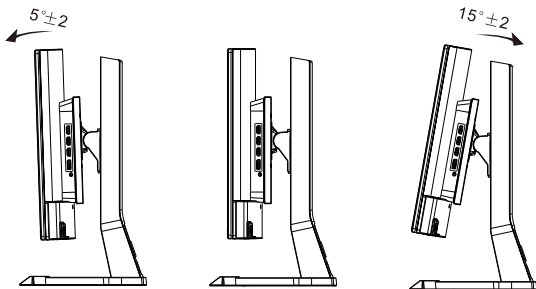


Please ensure the power supply and input/output devices are powered off before connecting any leads.

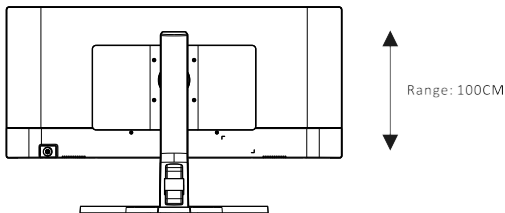
MONITOR ADJUSTMENT

In order to comfortably use the monitor there is a range of movement for adjusting the angle to ensure comfortable use.

- It is recommended to reduce eye fatigue that the monitor should be a little lower than the height of the eye and at a distance of about 50-70cm.
- While adjusting the angle of the monitor ensure the monitor is on a stable surface and hold the monitor firmly to prevent damage.



The height of the monitor is also adjustable.



CONTROL BUTTONS



Button	Control	Function
1	Power	Press to turn ON/OFF the monitor
2	Crosshairs / Menu Up	Display Crosshairs* Within Menu: Scroll Up
3	Input Select / Exit	Display the Input Source Menu Within Menu: Exit
4	Gaming Mode / Menu Down	Gaming mode (Standard/ FPS/ RTS) Within Menu: Scroll Down
5	Menu / Enter	Display the Main Menu. Within Menu: Enter

* Crosshairs displayed on the screen, a hardware solution for when in game crosshairs cannot be used from within FPS games.

WALL MOUNTING

- The monitor is provided with mounting holes for a VESA approved wall mounting bracket (not supplied)
- The VESA mounting pattern is:100x100mm and the size of the bolts required are 4 x M6 x 10 (not supplied)
- Do not use bolts longer than specified or damage will occur to the internal components.

NOTE: As the monitor is considered heavy, please consult with a professional wall mount installer to perform the installation.

GETTING STARTED SETTINGS

- Press the Menu (5) button to enter the Main Menu.
- Use the Menu Up and Menu Down (2 & 4) buttons to highlight the sub menu you require and press the Enter (5) button to select the submenu.
- Use the Menu Up and Menu Down (2 & 4) buttons to select the item within the sub menu and press the Enter (5) button to select the item.
- Use the Menu Up and Menu Down (2 & 4) buttons to make the desired changes to the chosen setting. Press the Enter (5) button to confirm the change.
- When the required settings have been changed, press the Exit (3) button to confirm and return to the previous menu page.

INPUT SOURCE

DP	V0.1	Resolution:3440X1440@100Hz
Input Source	•DP	
Brightness/Contrast	HDMI1	
Color Settings	HDMI2	
Picture Quality Setting	HDMI3	
Display Settings		
Audio Settings		
Multi-window Settings		
OSD Settings		
Other Settings		
	Window1: InputSource:DP Resolution:3440x1440@100Hz	Window2: InputSource: Resolution:
	Window3: InputSource: Resolution:	Window4: InputSource: Resolution:

Choose which source to display on the monitor.

Select from: DP (Display Port)
HDMI1
HDMI2
HDMI3

BRIGHTNESS/CONTRAST

Alter the settings for Brightness, Contrast, DCR (Dynamic Contrast Ratio), and Low Blue mode

DP	V0.1	Resolution:3440X1440@100Hz
Input Source	Brightness	80
Brightness/Contrast	Contrast	50
Color Settings	DCR	Off
Picture Quality Settings	Low Blue	Off
Display Settings		
Audio Settings		
Multi-window Settings		
OSD Settings		
Other Settings		
	Window1: InputSource:DP Resolution:3440x1440@100Hz	Window2: InputSource: Resolution:
	Window3: InputSource: Resolution:	Window4: InputSource: Resolution:

Adjust the Brightness between 0-100

Adjust the Contrast between 0 -100

DCR - Select From: ON/OFF

Low Blue – Select From: Off/Weak/Medium/Strong/Strongest

COLOUR SETTINGS

Alter the settings for Gamma, Eco Mode, Colour Temperature, Hue and Saturation

DP	V0.1	Resolution:3440X1440@100Hz
Input Source	Gamma	2.2
Brightness/Contrast	ECO Mode	Standard
Color Settings	Color Temperature	6500K
Picture Quality Settings	Hue	50
Display Settings	Saturation	50
Audio Settings		
Multi-Window Settings		
OSD Settings		
Other Settings		
	Window1: InputSource:DP Resolution:3440x1440@100Hz	Window2: InputSource: Resolution:
	Window3: InputSource: Resolution:	Window4: InputSource: Resolution:

Gamma - Select From: 1.8/2.0/2.2/2.4/2.6

Eco Mode - Select From: Standard/Text/RAC/FPS/RTS/Movie/ECO

Colour Temperature - Select From: 7500K/6500K/9300K/User

Adjust the Hue between 0-100

Adjust the Saturation between 0 -100

PICTURE QUALITY SETTINGS

Adjust the picture quality settings for Bypass, Sharpness, Response Time, Dynamic noise reduction, Super Resolution and Dynamic Luminous Control.

DP	V0.1	Resolution:3440X1440@100Hz
Input Source	Bypass	Off
Brightness/Contrast	Sharpness	50
Color Settings	Response Time	On
Picture Quality Settings	Dynamic Noise Reduction	Off
Display Settings	Super Resolution	0
Audio Settings	Dynamic Luminous Control	Off
Multi-window Settings		
OSD Settings		
Other Settings		
	Window1: InputSource:DP Resolution:3440x1440@100Hz	Window2: InputSource: Resolution:
	Window3: InputSource: Resolution:	Window4: InputSource: Resolution:

Bypass – Select From: ON/OFF

Sharpness – Select From: 0-100 (In intervals of 10)

Response Time – Select From: ON/OFF

Dynamic Noise Reduction - Select From: ON/OFF

Super Resolution – Select From: 0-5

Dynamic Luminance Control – Select From: ON/OFF

DISPLAY SETTINGS

Adjust the Aspect Ratio for the monitor

DP	V0.1	Resolution:3440X1440@100Hz
Input Source	Aspect Ratio	Full Screen
Brightness/Contrast		
Color Settings		
Picture Quality Settings		
Display Settings		
Audio Settings		
Multi-window Settings		
OSD Settings		
Other Settings		
	Window1: InputSource:DP Resolution:3440x1440@100Hz	Window2: InputSource: Resolution:
	Window3: InputSource: Resolution:	Window4: InputSource: Resolution:

Aspect Ratio - Select From: Full Screen/Auto/4:3/5:4/1:1

AUDIO SETTTINGS

Allows the user to Mute the external speakers or headphones or to change the audio source.

DP	V0.1	Resolution:3440X1440@100Hz
Input Source	Mute	Off
Brightness/Contrast	Volume	50
Color Settings	Audio Source	Auto
Picture Quality Settings		
Display Settings		
Audio Settings		
Multi-window Settings		
OSD Settings		
Other Settings		
	Window1: InputSource:DP Resolution:3440x1440@100Hz	Window2: InputSource: Resolution:
	Window3: InputSource: Resolution:	Window4: InputSource: Resolution:

Mute – Select From: ON/OFF

Volume – Select From: 0-100

Audio Output – Select From: Auto/DP/HDMI1/HDMI2/HDMI3

MULTI-WINDOWS SETTINGS

Allows the user to change between different options for showing multiple inputs on the screen at the same time. There are both PIP (Picture in Picture), and multiple PBP (Picture by Picture) options.

DP	V0.1	Resolution:3440X1440@100Hz
Input Source	Multi-Window	Off
Brightness/Contrast	SubWin 2 Input	
Color Settings	SubWin 3 Input	
Picture Quality Settings	SubWin 4 Input	
Display Settings	PIP Size	
Audio Settings	PIP Position	
Multi-window Settings	Swap	
OSD Settings		
Other Settings		
	Window1: InputSource:DP Resolution:3440x1440@100Hz	Window2: InputSource: Resolution:
	Window3: InputSource: Resolution:	Window4: InputSource: Resolution:

Multi-Window – Select From OFF, PIP Mode, PBP2Win, PBP3Win, PBP4Win

SubWin2 input – Select From: Other Input Sources

SubWin3 input – Select From: Other Input Sources

SubWin4 input – Select From: Other Input Sources

PIP Size – Select size of second source between 0-100

PIP Position – Select Position of second input between 0-100

Swap – Swap main and secondary inputs.

OSD SETTINGS

Adjust the OSD (On Screen Display) Language, Transparency, Position Time Out, and Rotation,

DP	V0.1	Resolution:3440X1440@100Hz
Input Source	Language	English
Brightness/Contrast	OSD Transparency	20
Color Settings	OSD H - Position	50
Picture Quality Settings	OSD V - Position	50
Display Settings	OSD Time	10
Audio Settings	Menu Rotation	0
Multi-window Settings		
OSD Settings		
Other Settings		
	Window1: InputSource:DP Resolution:3440x1440@100Hz	Window2: InputSource: Resolution:
	Window3: InputSource: Resolution:	Window4: InputSource: Resolution:

Language – Select From: English / French / Spanish / German / Polish / Dutch /Italian

OSD Transparency – Select From 0-100

OSD H Position- Select From 0 - 100

OSD V Position – Select From 0-100

OSD Time - Select From 5 - 100

MENU Rotation – 0/90/180/270

OTHER SETTINGS

Adjust other settings not covered in previous menus including FreeSync, HDR, USB upgrade, LOS and Factory Reset

DP	V0.1	Resolution:3440X1440@100Hz
Input Source	FreeSync Mode	
Brightness/Contrast	HDR	Off
Color Settings	USB FW Upgrade	
Picture Quality Settings	LOS	LOS3
Display Settings	Factory Reset	
Audio Settings		
Multi-window Settings		
OSD Settings		
Other Settings		
	Window1: InputSource:DP Resolution:3440x1440@100Hz	Window2: InputSource: Resolution:
	Window3: InputSource: Resolution:	Window4: InputSource: Resolution:

FreeSync Mode – Select From ON/OFF

HDR – Select From AUTO/ON/OFF

USB FW Upgrade – Used to upgrade the firmware via USB memory stick.

LOS – Select between LOS1/LOS2/LOS3

Factory Reset – Reset to factory settings.

SPECIFICATION

COMPATIBLE RESOLUTIONS

Standard	Resolution	Horizontal Frequency (KHz)	Vertical Frequency (Hz)
VGA	720X400	31.47	
	640X480	31.47	60.0
	640X480	37.50	75.0
	640X480	37.861	72.8
SVGA	800X600	37.879	60.0
	800X600	48.077	72.2
	800X600	46.875	75.0
XVGA	1024X768	48.363	60.0
	1024X768	56.476	70.0
	1024X768	60.02	75.0
SXVGA	1280X1024	63.981	60.0
	1280X1024	79.976	75.0
WXGA	1360X768	47.7	60.0
WXGA+	1440X900	55.469	60.0
WXGA+	1600X900	55.906	60.0
WSXGA+	1680X1050	64.7	60.0
WQHD	3440x1440	160	100.0

PRODUCT SPECIFICATION

Display Colours	8bit(D),16.7Mcolors	
DP	Input Interface	1.2a
HDMI	Input Interface	1.4 & 2.0
USB	Input Interface	YES
Pixel Pitch	0.23175(H)X0.23175(W)	
Number of Pixels	RGB 3440x1440	
V-Frequency	100HZ	
Temp	Storage Temp	-10°C to 50°C
	Operation Temp	0°C to 40°C
Humidity	Operation	10% to 85%

TROUBLESHOOTING

Problem	Solution
No power	Insert the plug securely into the power outlet.
No picture	Ensure that the equipment is connected properly.
	Ensure the correct input is selected.
	DP Input will only support a max resolution of 3440x1440 and fixed refresh of 100Hz. Make sure your display settings correspond to this.
Buttons on the monitor do not do anything	Disconnect the power and then reconnect it. (The unit may not be operating properly due to lightning, static, or other factors.)
Noise or other interference	Electronic equipment near the unit may be causing interference. Relocate the unit or move the equipment.

electriQ UK SUPPORT

Complete the online support form on www.electriQ.co.uk/support

Service Line: 0871 620 1057

Office hours: 9AM - 5PM Monday to Friday

www.electriQ.co.uk

Unit J6, Lowfields Business Park

Lowfields Way, Elland,

West Yorkshire, HX5 9DA

PRODUCT DISPOSAL

Do not dispose this product as unsorted waste.
Collection of such waste must be handled separately
as special treatment is necessary.



Recycling facilities are now available for all customers at which you can deposit your old electrical products. Customers will be able to take any old electrical equipment to participating civic amenity sites run by their local councils. Please remember that this equipment will be further handled during the recycling process, so please be considerate when disposing of your equipment. Please contact the local council for details of your local household waste recycling centres.